

LDI-1064-FP-20/40

1064 nm, FP, 20 mW CW, 40 mW pulse

DESCRIPTION

The module is equipped with an SM fiber. It operates in CW giving optical power up to 20 mW and pulse mode giving optical power up to 40 mW. Small size and weight allow for installing it on a PCB without additional mounting.

Applications: infrared light laser source.

ABSOLUTE MAXIMUM RATINGS

Parameter	Value	Unit
LD forward current, I_{fl}	150	mA
LD pulse forward current, I_{pfl}	190	mA
LD reverse voltage, V_{rl}	2	V
PD reverse voltage, V_{rd}	30	V
Operating temperature, T_c	-20 ÷ +50	°C
Storage temperature, T_{stg}	-40 ÷ +80	°C

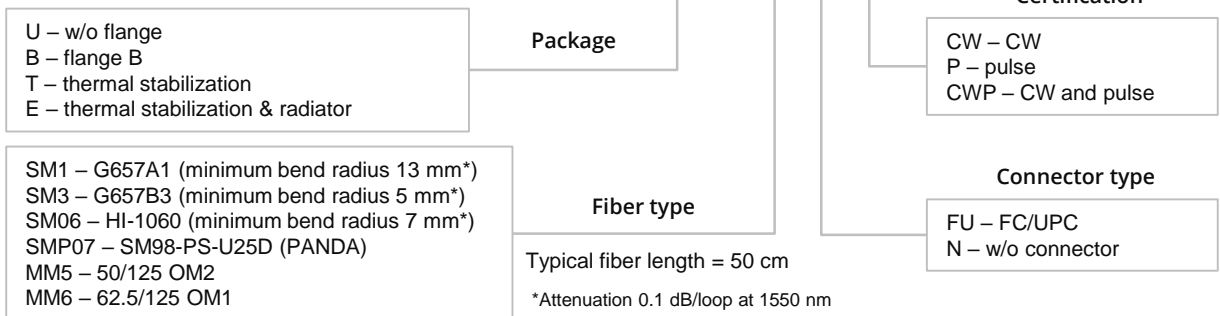
ELECTRICAL-OPTICAL CHARACTERISTICS (SINGLE MODE, T = 25 °C)

Parameter	Min	Typ	Max	Unit	Test conditions	
Wavelength		1064	1075	nm	CW	
Wavelength-temperature coeff.		0,6		nm/°C		
Threshold current		15	18	mA	CW	
Operating current	I_{op}		25	29	mA	CW, P = 2 mW
			53	59		CW, P = 10 mW
			92	105		CW, P = 20 mW
	I_p	160	180	mA	Pulse*, P = 40 mW	
Spectral width		0.2	1	nm	CW, -3 dB	
Operating voltage		1.4	1.6	V	CW, P = 20 mW	
Slope efficiency	S_e	0.25	0.30	mW/mA	CW, P = 20 mW	
Monitoring output current (PD)	I_m	0.3		mA	CW, P = 20 mW	

* Pulse duration 10 μ s, duty cycle = 0.01.

ORDERING INFORMATION

LDI-1064-FP-20/40-X-3-X-X-X

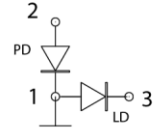
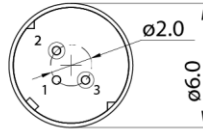
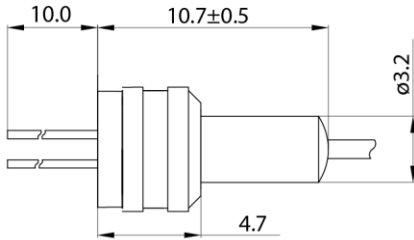


Our products are certified by Belarusian Chamber of Commerce. All the components used in production are ISO 9001:2008 certified and comply with RoHS directive. Characteristics, data, materials and structures specified in this datasheet are subject to change without notice.

This document was updated on 31.08.2017

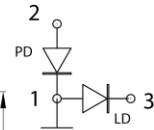
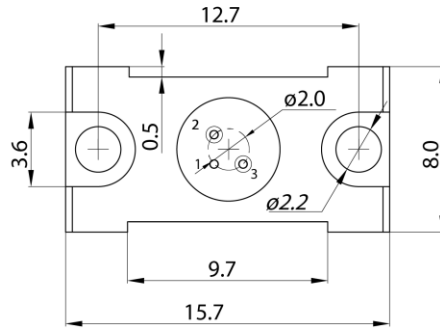
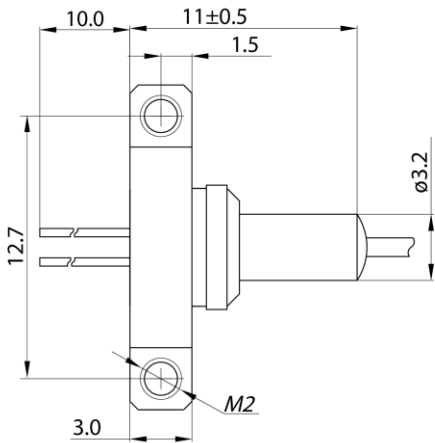
LDI-1064-FP-20/40

U



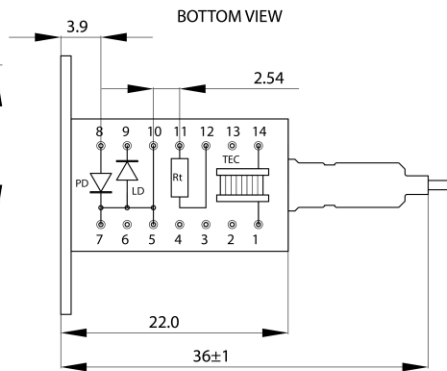
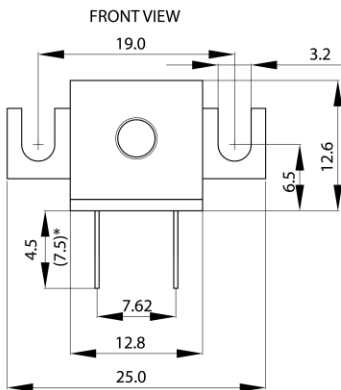
- 1. Case, LD Anode, PD Cathode
- 2. PD Anode
- 3. LD Cathode

B



- 1. Case, LD Anode, PD Cathode
- 2. PD Anode
- 3. LD Cathode

T



PIN CONNECTION

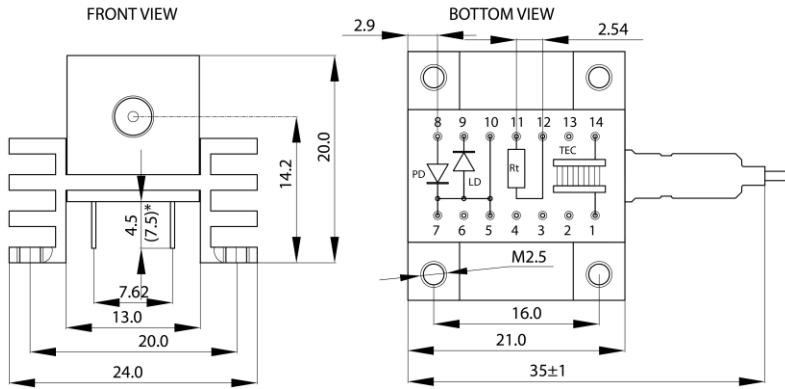
- 1. Cooler Anode
- 2.-
- 3.-
- 4.-
- 5. LD Anode
- 6.-
- 7. PD Cathode
- 8. PD Anode
- 9. LD Cathode
- 10. LD Anode
- 11. Thermistor
- 12. Thermistor
- 13.-
- 14. Cooler Cathode

Cooler: I<600mA, U<3.6V, Q<1.1W

Rt=10000*EXP(3450*(1/T(K)-1/298))

LDI-1064-FP-20/40

E



PIN CONNECTION

- 1.Cooler Anode
- 2.-
- 3.-
- 4.-
- 5.LD Anode
- 6.-
- 7.PD Cathode
- 8.PD Anode
- 9.LD Cathode
- 10.LD Anode
- 11.Thermistor
- 12.Thermistor
- 13.-
- 14.Cooler Cathode

Cooler: I<600mA, U<3.6V, Q<1.1W

$$R_t = 10000 \cdot \text{EXP}(3450 \cdot (1/T(K) - 1/298))$$

*Possible pins length 4.5 mm or 7.5 mm.

LDI-1064-FP-20/40

