

LDI-660-FP-10

660 nm, FP, 10 mW CW

DESCRIPTION

The module operates in CW mode giving optical power up to 10 mW. Small size and weight allow for installing it on a PCB without additional mounting.

The module with the fiber SM04 (S630-HP) provides a Gaussian field distribution with the mode diameter 4.2 μm . It is suitable for biomedical systems.

ABSOLUTE MAXIMUM RATINGS

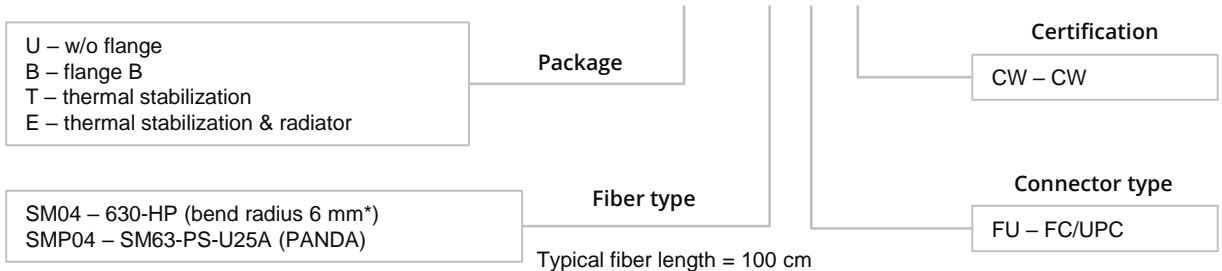
Parameter	Value	Unit
LD forward current, I_{fl}	100	mA
LD reverse voltage, V_{rl}	2	V
PD reverse voltage, V_{rd}	30	V
Operating temperature, T_c	-20 ÷ +50	°C
Storage temperature, T_{stg}	-40 ÷ +80	°C

ELECTRICAL-OPTICAL CHARACTERISTICS (SINGLE MODE, T = 25 °C)

Parameter	Min	Typ	Max	Unit	Test conditions
Wavelength	λ	658	665	nm	CW, P = 10 mW
Threshold current	I_{th}	35		mA	CW
Operating current	I_{op}	58	70	mA	CW, P = 10 mW
Spectral width	$\Delta\lambda$	0.15	0.5	nm	CW, P = 10 mW, FWHM
Operating voltage	V_{op}	2.3	2.7	V	CW, P = 10 mW
Slope efficiency	S_e	0.43		mW/mA	CW, P = 10 mW
Monitoring output current (PD)	I_m	0.2	0.5	mA	CW, P = 10 mW, $V_{rd} = 5$ V

ORDERING INFORMATION

LDI-660-FP-10-X-3-X-X-X



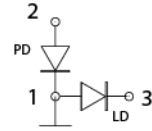
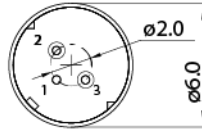
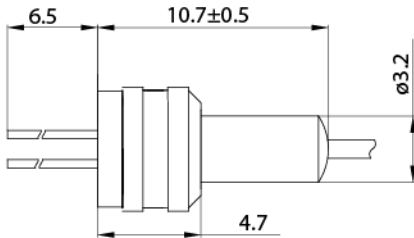
*Attenuation 0.1 dB/loop at 650 nm

Our products are certified by Belarusian Chamber of Commerce. All the components used in production are ISO 9001:2008 certified and comply with RoHS directive. Characteristics, data, materials and structures specified in this datasheet are subject to change without notice.

This document was updated on 31.08.2017

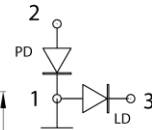
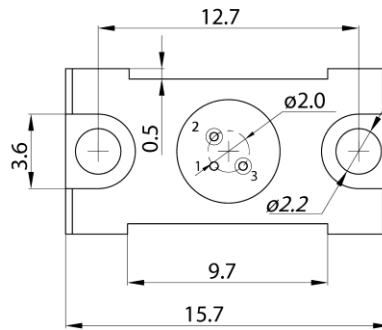
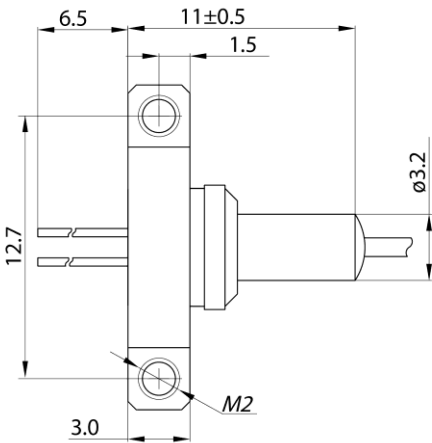
LDI-660-FP-10

U



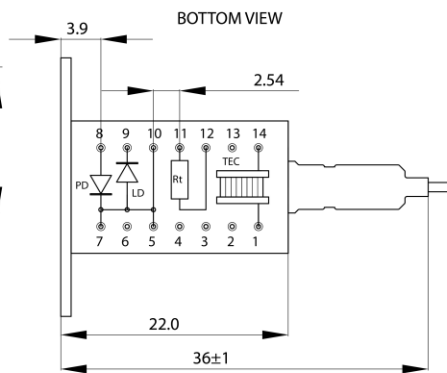
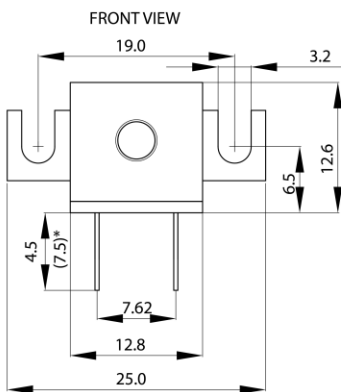
- 1. Case, LD Anode, PD Cathode
- 2. PD Anode
- 3. LD Cathode

B



- 1. Case, LD Anode, PD Cathode
- 2. PD Anode
- 3. LD Cathode

T



PIN CONNECTION

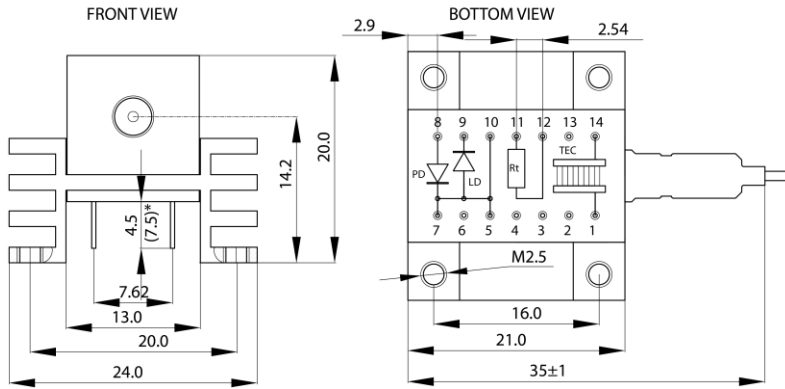
- 1. Cooler Anode
- 2. -
- 3. -
- 4. -
- 5. LD Anode
- 6. -
- 7. PD Cathode
- 8. PD Anode
- 9. LD Cathode
- 10. LD Anode
- 11. Thermistor
- 12. Thermistor
- 13. -
- 14. Cooler Cathode

Cooler: I<600mA, U<3.6V, Q<1.1W

Rt=10000*EXP(3450*(1/T(K)-1/298))

LDI-660-FP-10

E



PIN CONNECTION

- 1.Cooler Anode
- 2.-
- 3.-
- 4.-
- 5.LD Anode
- 6.-
- 7.PD Cathode
- 8.PD Anode
- 9.LD Cathode
- 10.LD Anode
- 11.Thermistor
- 12.Thermistor
- 13.-
- 14.Cooler Cathode

Cooler: I<600mA, U<3.6V, Q<1.1W

$$R_t = 10000 \cdot \text{EXP}(3450 \cdot (1/T(K) - 1/298))$$

*Possible pins length 4.5 mm or 7.5 mm.

LDI-660-FP-10

