

LDI-785-FP-100

785 nm, FP, 100 mW CW

DESCRIPTION

The module is equipped with an SM or MM fiber. It operates in CW mode giving optical power up to 100 mW. Small size and weight allow for installing it on a PCB without additional mounting.

Applications: infrared light laser source, sensing and measurements equipment.

ABSOLUTE MAXIMUM RATINGS

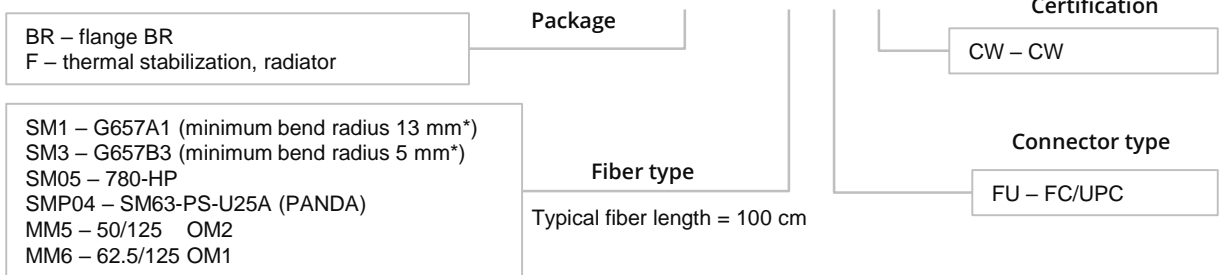
Parameter	Value	Unit
LD forward current, I_{fl}	300	mA
LD reverse voltage, V_{rl}	1.5	V
Operating temperature, T_c	-10 ÷ +50	°C
Storage temperature, T_{stg}	-40 ÷ +85	°C

ELECTRICAL-OPTICAL CHARACTERISTICS (SINGLE MODE, T = 25 °C)

Parameter	Min	Typ	Max	Unit	Test conditions	
Wavelength	λ	777	785	791	nm	CW
Threshold current	I_{th}		45	70	mA	CW
Operating current	I_{op}		60	90	mA	CW, P = 10 mW
			200	250		CW, P = 100 mW
Spectral width	$\Delta\lambda$		1	2	nm	CW
Operating voltage	V_{op}		2.5	3.0	V	CW, P = 100 mW
Slope efficiency	S_e	0.40	0.65		mW/mA	CW, P = 100 mW

ORDERING INFORMATION

LDI-785-FP-100-X-18-X-X-X



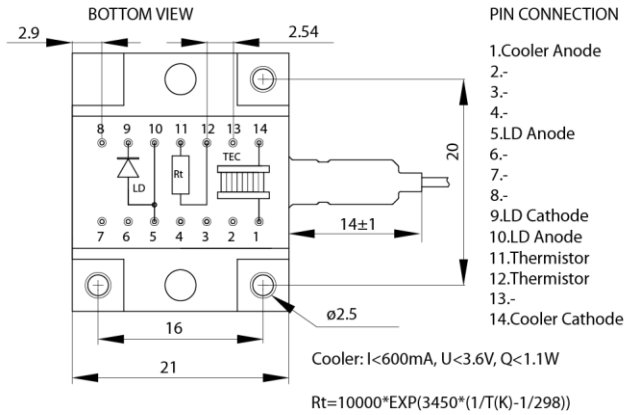
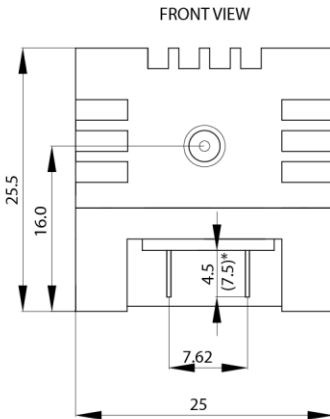
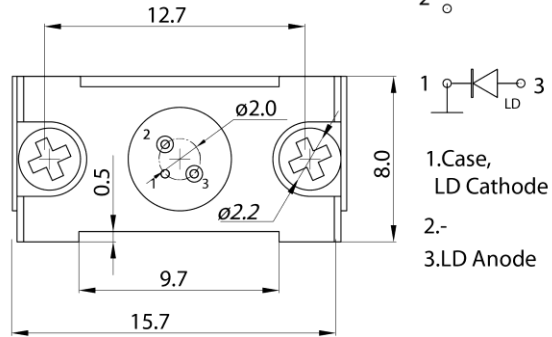
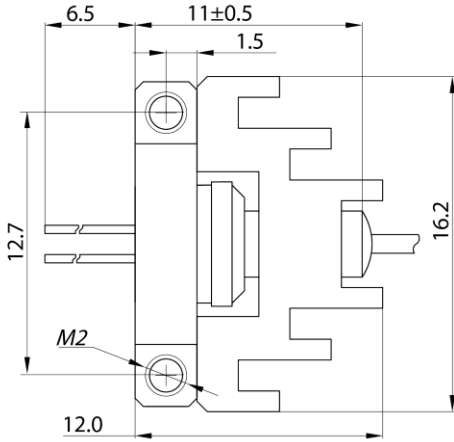
*Attenuation 0.1 dB/loop at 1550 nm

Our products are certified by Belarusian Chamber of Commerce. All the components used in production are ISO 9001:2008 certified and comply with RoHS directive. Characteristics, data, materials and structures specified in this datasheet are subject to change without notice.

This document was updated on 31.08.2017

LDI-785-FP-100

BR



F

*Pins length can be 4.5 mm or 7.5 mm.

LDI-785-FP-100

